



how to:  
board bathrooms,  
wet rooms  
**and showers**





## focus on getting it **right**

As with any building project, the quality of finish is determined by the foundation upon which it is installed.

The most important part of creating a bathroom or wet room that will stand up to everyday use is the water resistant board used beneath both wall and floor tiles. By focusing on getting this layer right, you will provide the ideal foundation for a successful and long lasting finish.

Please check that this is the current version by visiting the Siniat website. For archived versions please contact technical services.





Bathrooms and wet rooms are areas where standard plasterboard is ineffective. Standard plasterboard will soak up water which can break down the integrity of the wall and lead to mould and fungal growth.

The solution is to install either a performance plasterboard designed for wet areas or a cement based tile backing board when creating a tiled finish.

This guide will help you choose the correct product for your project and show how to install it to create the best finish.

# comparison guide

## Fibre cement board



## Siniat TileBacker Board

A cost effective fibre cement board for use when tiling bathrooms / wet areas.

### The boards are available in:

- 1200mm x 800mm boards.
- 12mm thickness for walls (weight: 17.6kg/m<sup>2</sup>).
- 6mm thickness for floors (weight: 8.8kg/m<sup>2</sup>).

### Advantages:

- TileBacker is suitable for heavy tiles up to 60kg/m<sup>2</sup> (larger format tiles).
- Suitable for wall and floor installations.
- Moisture and mould resistant.
- Small format, easy to handle.

### Disadvantages:

- ✘ Heavier than plasterboard.
- ✘ Cannot be scored and snapped.

## Performance plasterboard



### Siniat Aqua Board

An innovative water resistant plasterboard designed specifically for walls and ceilings in bathrooms and wet areas.

#### The boards are available in:

- 12.5mm thickness at 1200mm x 850mm, 1200mm x 2400mm and 1200mm x 2700mm (weight: 11kg/m<sup>2</sup>).
- 15mm thickness at 1200mm x 2400mm, and 1200mm x 3000mm (weight: 13kg/m<sup>2</sup>).

#### Advantages:

- Suitable for tiles up to 50kg/m<sup>2</sup>.
- Easy score and snap installation.
- Enables flexibility of finish either tiled or taped and joined ready for decoration.
- Fast installation.
- Moisture and mould resistant.

#### Disadvantages:

- ✘ Not suitable for installation on floors.

**KNOWLEDGE**  
direct from the  
**MANUFACTURER**  
siniat

## Siniat TileBacker

Siniat TileBacker is a versatile small format board that can be used on walls and floors in a variety of wet areas to ensure a professional installation.



**Size and thickness:**  
1200mm x 800mm  
6mm – Floor installations  
12mm – Wall installations





Siniat TileBacker is a mould and moisture resistant board that will not physically deteriorate when used in damp or humid conditions. It can hold tile weights of up to 60kg/m<sup>2</sup> making it ideal for the following applications:

- Bathrooms
- En suites
- Shower rooms

This 'how to' guide will demonstrate the installation methods for the projects detailed above.

---

**Note:** Siniat TileBacker is designed for use in areas 'not immersed but subject to occasional wetting', e.g. domestic shower rooms, as described in BS 5385-4:2015. The guidance of this standard should be followed where applicable.

# installing Siniat TileBacker on floors

## 1. Floor type

Ensure the sub-floor is clean and the surface is flat. Use a minimum of 15mm WBP plywood or 18mm T&G flooring grade chipboard. Local building regulations should be adhered to and joist spacing should not exceed 600mm centres.

## 2. Siniat TileBacker layout

Stagger the boards as shown opposite to ensure that the corners of four boards do not meet at the same point, and do not align the boards with the sub-floor joints. Ensure the boards are staggered by a minimum of 300mm, and that a 10mm gap is left between floor and wall edges, and sealed with flexible silicone sealant where required. A 3mm gap should be left between each Siniat TileBacker board.

Ensure all boards are cut to the required size before installation takes place. Lay the boards down to check layout before installation is recommended.

## 3. Board installation

- a) Apply a bed of flexible tile adhesive to the sub-floor, one board at a time, ensuring an easier installation with limited risk of the adhesive beginning to set when applying the boards.

---

**Note:** Do not use any impacting tools to install screws, including but not limited to impact drivers and wrenches.





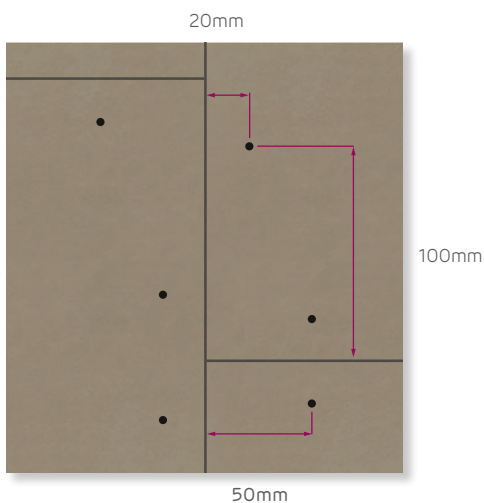
- b) Embed the 6mm Siniat TileBacker board with the front (text/smooth side) facing upwards.
- c) Using Siniat 25mm Self Drilling Wet Area Screws fasten the board in the corners as per the illustration below, then at every 200mm over the entire surface of the board in a grid pattern. Ensure the heads of the screws are flush to the board surface.

#### 4. Jointing

Apply flexible tile adhesive to all joints and embed Siniat TileBacker alkaline resistant joint tape. Allow tile adhesive to dry before continuing.

#### 5. Tiling

Apply adhesive in approximately 0.5m<sup>2</sup> sections and follow tile and adhesive manufacturer guidelines.



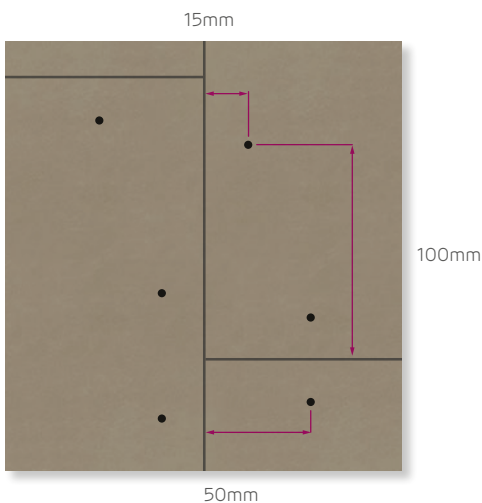
# installing Siniat TileBacker on walls

## 1. Framework

Siniat TileBacker can be installed either onto timber or metal studs. The studs should be set at 400mm centres rather than the standard 600mm to take the additional weight of tiles.

## 2. Siniat TileBacker layout

Siniat TileBacker can be installed either horizontally or vertically but the joints need to be staggered as shown opposite to ensure that the corners of four boards do not meet at the same point. A 10mm gap should be left between wall and floor junctions and sealed with flexible silicone sealant where required. A 3mm gap should be left between each TileBacker board.



### 3. Board installation

Use Siniat 25mm Self Drilling Wet Area Screws when fixing to metal studs, or Siniat 38mm Self Drilling Wet Area Screws (when fixing to timber studs). The boards require fixing in the corners as per the illustration below, and at every 200mm thereafter. Ensure the heads of the screws are flush to the board surface.

### 4. Jointing

Apply flexible tile adhesive to all joints and embed Siniat TileBacker alkaline resistant joint tape. Allow tile adhesive to dry before continuing.

### 5. Tiling

Apply a bed of flexible tile adhesive to the board surface in approx. 0.5 m<sup>2</sup> sections and install wall tiles directly onto adhesive (as per manufacturers guidelines).

Leave a 10mm gap between tiles at corners and seal with a flexible silicone sealant designed for use in bathrooms. A water resistant grout (EN 13888 Class 2W) should be used to finish the tiles.

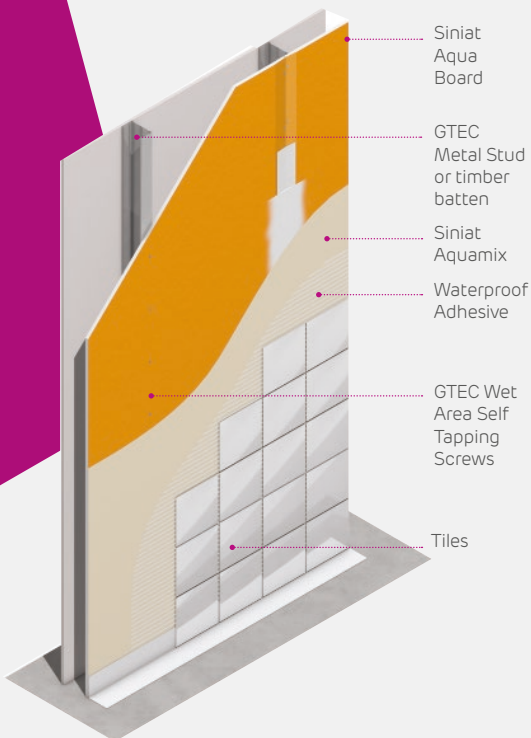
### 6. Paint finish

Siniat TileBacker can be plaster finished to enable a paint finish to be applied, however the boards need to be sealed with 2 coats of an SBR bonding agent and the plaster applied when the second adhesive coat is tacky (Follow manufacturer instruction for SBR adhesive application).



# installing Siniat Aqua Board in high humidity bathrooms and wet rooms

- Metal studs or timber battens need to be at 400mm centres rather than standard 600mm centres to take the additional weight of tiles.
- Fix the Aqua Board to the metal studs or timber battens at 300mm centres using GTEC Wet Area Screws, 42mm High Thread Screw for timber and 32mm Self Tapping Screws for metal studs.
- Bed Siniat AquaStrip using a waterproof tile adhesive between the wall and floor boards.
- Apply 2 coats of GTEC Drywall Sealer to the face of Aqua Board for severe humidity environments.
- For tiled areas mount the tiles using a waterproof tile adhesive.
- For painted areas bed Siniat Joint Tape and apply 2 – 3 coats of Siniat Aquamix jointing compound (see taping and jointing guide on page 13).



Frame



GTEC C Stud



Board



**Siniat Aqua Board**



Fix



GTEC  
Wet Area Screws



Finish



GTEC  
Siniat Aquamix



GTEC  
Aquastrip

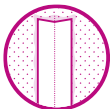


Siniat Joint Tape

# how to finish aqua board

Taping and Jointing is a simple finishing solution for drylining installations, to reinforce joints to prevent cracking and ensure fire and sound performances are achieved. It is suitable for large areas of plasterboard where speed and ease of application can greatly reduce installation time and costs versus a skim finish.

## Recommended 3 stage process



### Bedding and fill coat

Tape or bead is bedded into the compound and taper filled out.



### 1st finish coat

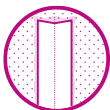
The taper is re-filled with compound where compound where required.



### 2nd finish coat

Final compound layer is applied and sanded for a smooth finish.

## 2 stage process



### Bedding and fill coat

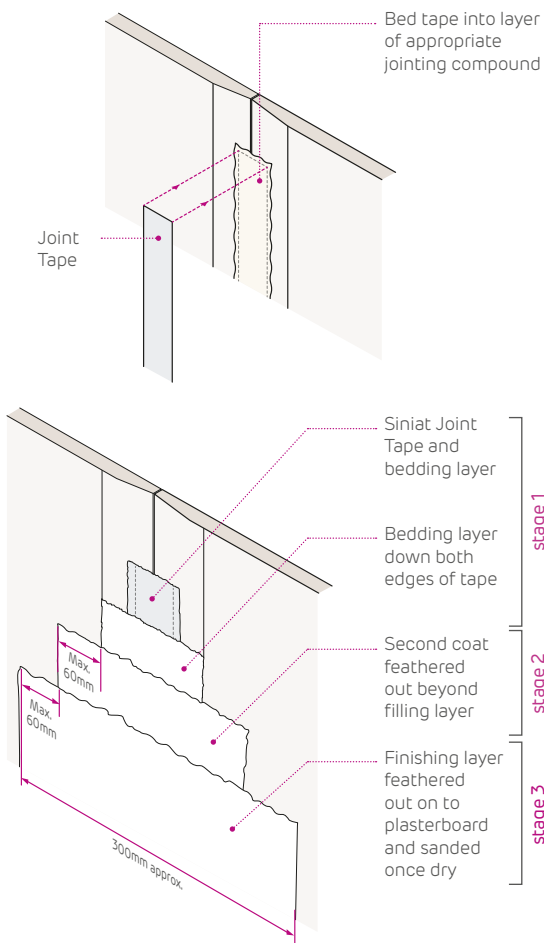
Tape or bead is bedded into the compound and taper filled out.



### 2nd finish coat

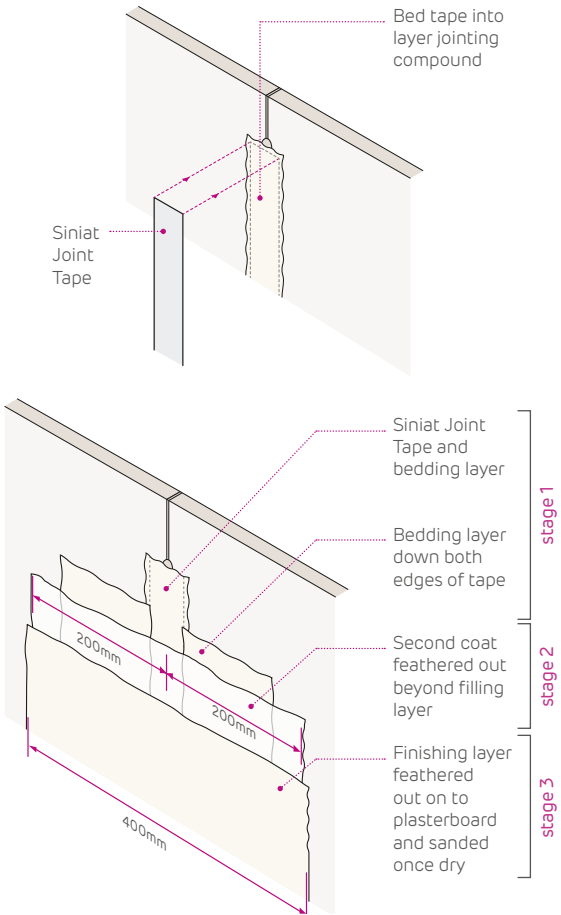
Final compound layer is applied and sanded for a smooth finish.

## Tapered edge



- Boards must be stored in a dry environment.
- Ensure surfaces are clean and dry before securely and evenly fixing.
- Tapered edge board provides the best finish by allowing the joint tape to sit below the finished surface.
- Square edge plasterboard may also be jointed using the method on the following page.

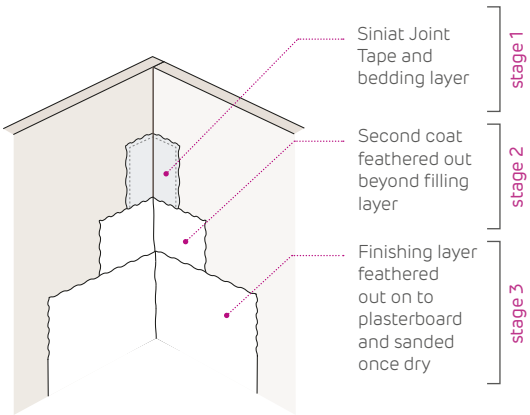
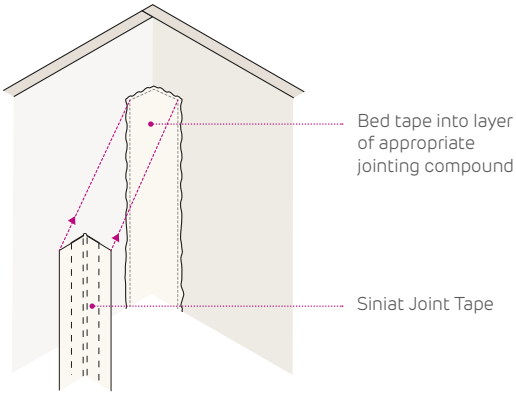
## Square or cut edge



- Correct screw fixings to be used with screw heads just below surface of board.
- Gaps over 3mm to be filled with Siniat Joint Filler or Siniat MultiPurpose Joint Compound prior to tape installation.

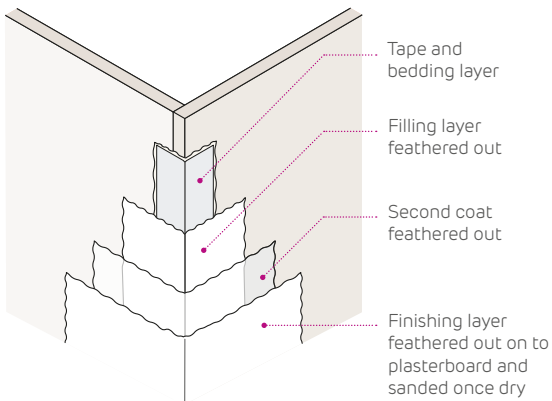
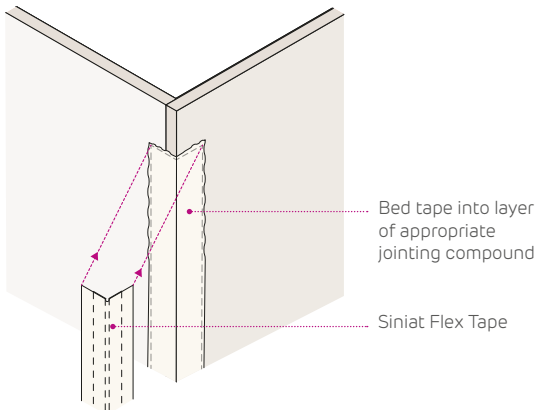


## Internal corner



- Compound to be applied in nominal 1mm layers. Thicker layers will extend drying time.
- Siniat Joint Tape cut to length to be pressed into bedding compound.
- Second coat of jointing compound if required to be applied over dry joint, feathered out 50 – 60mm beyond the edge of first coat.
- Finishing coat of compound feathered out 50 – 60mm beyond second coat. Finished, dry joint to be sanded to smooth finish for sealing and decoration.

## External corner



- Square edge joints only: Joint width to be wider to reduce visible crowning.
- External corners only: Siniat Flex Tape to be applied in place of Siniat Joint Tape as reinforcement.

## Drywall and universal sealer



Once the taping and jointing process has been completed, Universal Sealer must be applied to prevent 'regency stripping'. When using Siniat Aqua Board, Drywall Sealer must be applied prior to painting/tiling in severe moisture areas.

## Regency stripping



This term is used to describe the effect of the paint finish reacting differently on the joints to the surface of the board. If the sealer is not applied the joints may be visible no matter how good the taping and jointing process has been completed. Once dry, a paint finish can be applied in the normal manner.



### Water repelling tips

For a step-by-step video guide and tips on using metal frame systems and installing water resistant systems, check out our Siniat YouTube channel:

[youtube.com/siniatukchannel](https://youtube.com/siniatukchannel)



For advice with installation contact Technical Services at:

[technical.siniat@etexbp.co.uk](mailto:technical.siniat@etexbp.co.uk)

or call: **0800 145 6033**

Etex Building Performance Limited  
Marsh Lane, Easton-in-Gordano,  
Bristol, BS20 0NE

**+44 (0)1275 377 773**

[siniat.co.uk](http://siniat.co.uk)

