

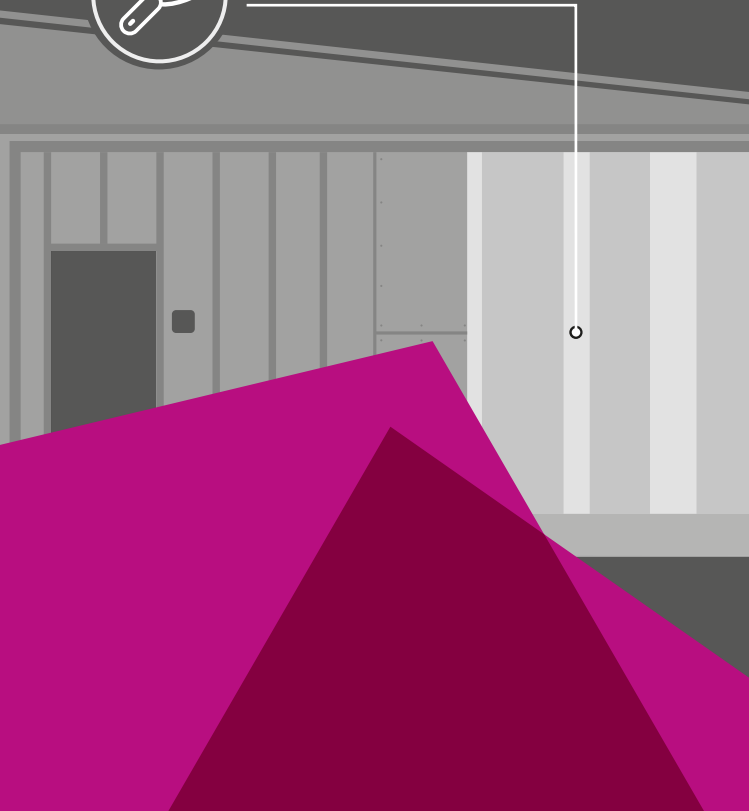


how to:
finish internal walls

professional range
of wall finishing and
repair solutions



Siniat finishing





professional range of wall finishing and **repair solutions**

This how to guide provides you with information on selecting the right product for your finishing or repair project.

Finishing

Taping or Jointing is a quicker and lower cost finishing process versus skimming, already used extensively in commercial projects, this technique enables the project completion in a fraction of time.

Please check that this is the current version by visiting the Siniat website. For archived versions please contact technical services.



Jointing



Finishing

jointing compounds

Our compounds are available in three main types; Setting compounds, Air-drying compounds and Hybrid compounds.

Setting compounds

Typically used for filling and jointing. They are applied by hand and offer low levels of shrinkage.

Working time: This is the length of time the setting product is workable, after which time the product starts to set.

Setting times: Setting compounds come with specific setting times. These times refer to the approximate amount of time required for the compound to 'set' after it makes contact with water. Times aren't affected by atmospheric humidity.

Setting/air-drying combined compounds

Combines elements of both setting and air-drying compounds, adding an amount of durability and offering a slightly harder finish over standard air-drying products. They offer a simple one-product solution for two stage processes and are ideal for repairs.

Air-drying compounds

Typically used for secondary filling or finishing. They can be hand or machine applied.

Air-drying time: The length of time taken for the product to dry. These times are impacted by external conditions such as humidity and temperature.



taping and jointing products

The matrix below shows which products to use for either a 2 or 3 stage process. Typically the number of stages required is dependent on the quality of the board installation, however Siniat recommends the 3 stage process for the best possible finish.



Siniat
Joint Cement

Recommended 3 stage process

Stage 1: Bed & Fill	Stage 2: 1st Finish
Siniat Joint Filler	Siniat Joint Cement
Siniat Joint Filler	Siniat Smartmix (Ready-mix)
Siniat Multipurpose Joint Compound	Siniat Multipurpose Joint Compound

2 stage process

Stage 1: Bed & Fill	Stage 2: 1st Finish
GTEC Aquamix (Water resistant)	GTEC Aquamix (Water resistant)
Siniat Smartmix (Ready-mix)	Siniat Smartmix (Ready-mix)
Siniat Multipurpose Joint Compound	Siniat Multipurpose Joint Compound



Siniat
Joint Filler



Siniat Multipurpose
Joint Compound



GTEC Aquamix
(Water resistant)



Siniat Smartmix
(Ready-mix)

Stage 3: 2nd Finish	Results
Siniat Joint Cement	Best finish Easy to sand
Siniat Smartmix (Ready-mix)	
Siniat Multipurpose Joint Cement	Fast completion Fast setting times

Key:

Compounds shown are powder unless stated Ready-mix.

Setting compound

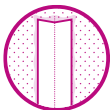
Air-drying compound

Hybrid compound

finishing – taping and jointing

Taping and Jointing is a simple finishing solution for drylining installations, to reinforce joints to prevent cracking and ensure fire and sound performances are achieved. It is suitable for areas of plasterboard where speed and ease of application can greatly reduce installation time and costs versus a skim finish.

Recommended 3 stage process



Bedding and fill coat

Tape or bead is bedded into the compound and taper filled out.



1st finish coat

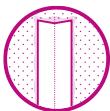
The taper is re-filled with compound where required.



2nd finish coat

Final compound layer is applied and sanded for a smooth finish.

2 Stage Process



Bedding and fill coat

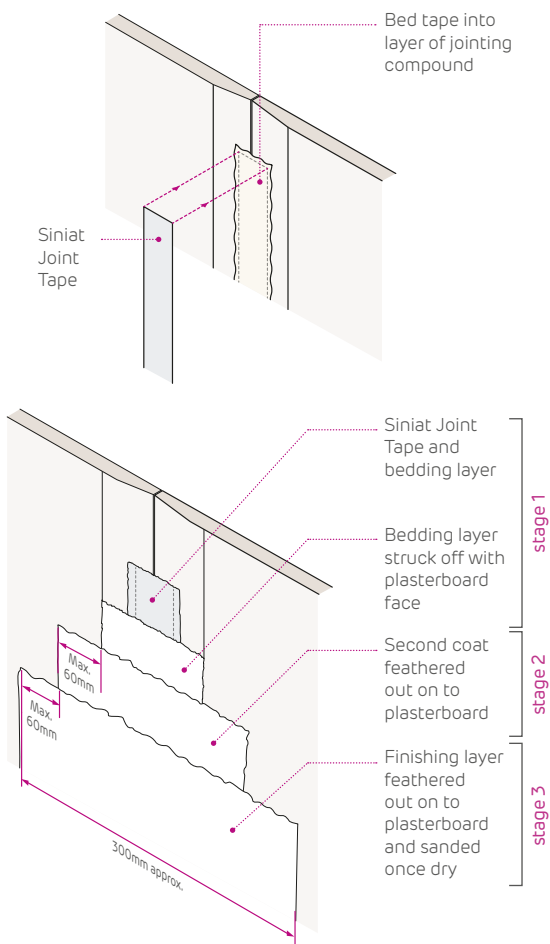
Tape or bead is bedded into the compound and taper filled out.



2nd finish coat

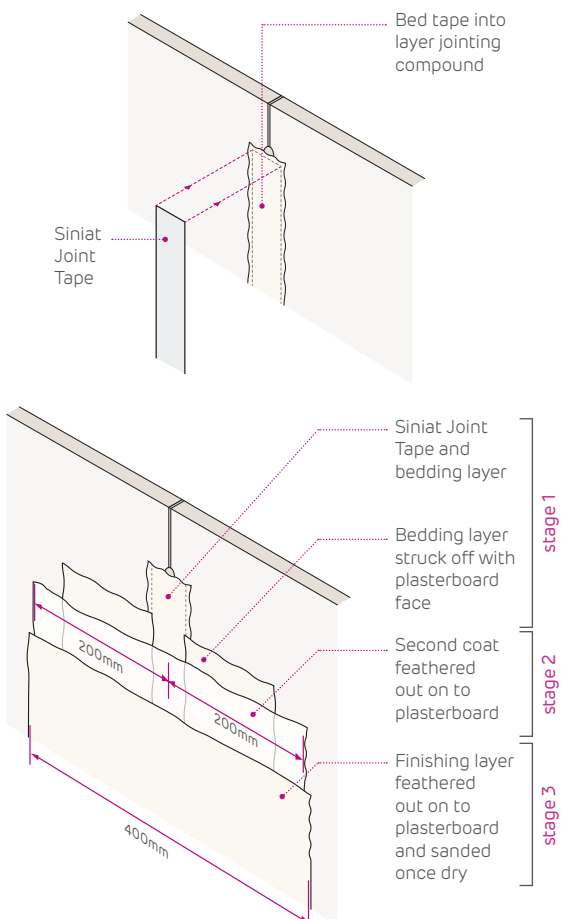
Final compound layer is applied and sanded for a smooth finish.

Tapered edge



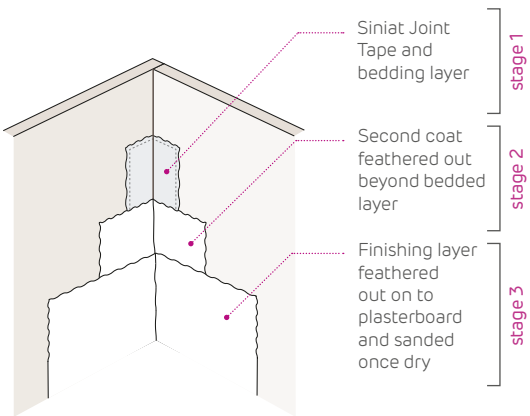
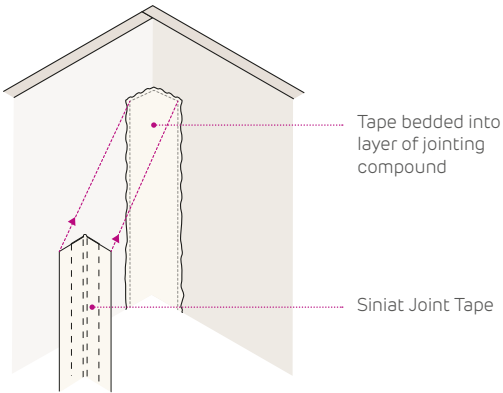
- Tapered edge board provides the best finish by allowing the Joint Tape to sit below the finished surface.
- Board surfaces to be dry, clean, protected from weather, secure and evenly fixed.
- Square edge plasterboard may also be jointed using the method on the following page.

Square or cut edge



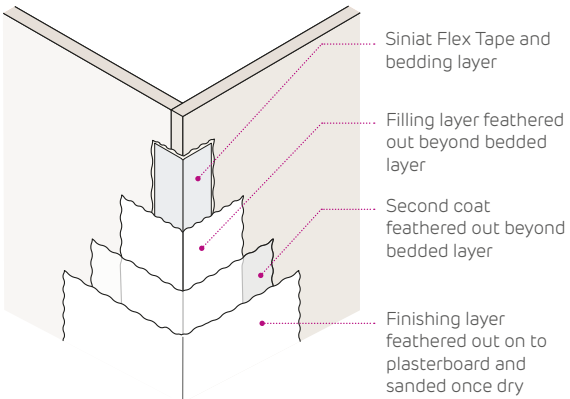
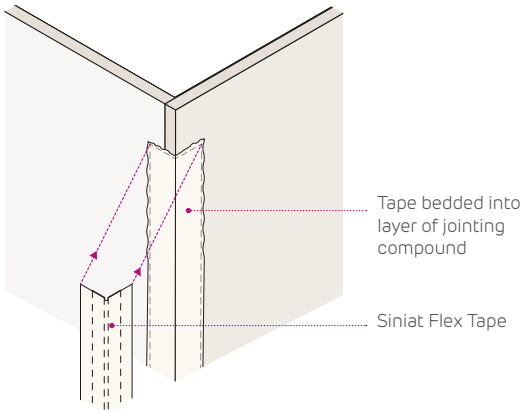
- Correct screw fixings to be used with screw heads just below surface of board.
- Gaps over 3mm to be filled with Siniat Joint Filler or Siniat Multipurpose Joint Compound prior to tape installation.

Internal corner



- Compound to be applied in nominal 1mm layers. Thicker layers will extend drying time.
- Siniat Joint Tape cut to length to be pressed into bedding compound.
- Second coat of jointing compound if required to be applied over dry joint, feathered out 50 – 60mm beyond the edge of first coat.
- Finishing coat of compound feathered out 50 – 60mm beyond second coat.
- Finished, dry joint to be sanded to smooth finish for sealing and decoration.

External corner



- Square edge joints only: Joint width to be wider to reduce visible crowning.
- External corners only: Siniat Flex Tape to be applied in place of Siniat Joint Tape as reinforcement.

Drywall and universal sealer



Once the taping and jointing process has been completed, Universal Sealer must be applied to prevent 'regency striping'. When using Siniat Aqua Board, Drywall Sealer must be applied prior to painting/tiling in severe moisture areas.

Regency striping



This term is used to describe the effect of the paint finish reacting differently on the joints to the surface of the board (suction), if the sealer is not applied the joints may be visible no matter how well the taping and jointing process has been completed. Once dry, a paint finish can be applied in the normal manner.

pretreatment requirements

On projects with a specified skim finish, some Siniat boards are recommended to be pretreated prior to finishing with skim, see tables below.

No pre-treatment required

Standard Board

Plank

Contour

Base Board

Vapour Board

Vapour Base Board

Fire Board

Fire V Board

E Board

dB Board

Universal Board

Thermal

Thermal XP

Thermal K

Thermal PIR

Bonding agent

Moisture Board

Fire MR Board

LaDura

Cannot be skimmed

Megadeco

Aqua Board



Pretreatment

Prime board surface with PVA to BS 5270 dilution to 5:1 and allow to dry, re-prime with second application of PVA, dilution to 3:1. Whilst the second coat of PVA is still tacky, apply skim finish (manufactured to EN 13279-1).

(Proprietary alternatives may be acceptable)

NB: It is Siniat's recommendation to not use self adhesive mesh (Scrim) tapes when skimming, due to being prone to cracking. Use Siniat Paper Tape for all boarding joints.



Installation tips

For a step-by-step video guide and tips on Finishing and repairing interior walls, check out our Siniat YouTube Channel.

youtube.com/siniatukchannel



For advice with installation contact Technical Services at:

technical.siniat@etexbp.co.uk

or call: **0800 145 6033**

Etex Building Performance Limited
Marsh Lane, Easton-in-Gordano,
Bristol, BS20 0NE

+44 (0)1275 377 773

siniat.co.uk

